

DESCRIPTION

AMC MODEL SWN-218-2DR-IND-SP OPTIONS 1320, HS2NS, ISO30DB IS AN REFLECTIVE SINGLE POLE TWO THROW SWITCH DESIGNED TO OPERATE FROM 13 TO 20 GHz FREQUENCY RANGE WITH LOW INSERTION LOSS AND LOW ISOLATION.

SPECIFICATIONS

- FREQUENCY RANGE: 13 TO 20 GHz
- INSERTION LOSS: 2.5 dB MAXIMUM
- ISOLATION: 30 dB MINIMUM
- VSWR: 2.0:1
- RISE TIME: 2 nSec TYPICAL, 15 nSec MAXIMUM
- FALL TIME: 2 nSec TYPICAL, 15 nSec MAXIMUM
- DELAY ON: 75 nSec TYPICAL, 100 nSec MAXIMUM
- DELAY OFF: 75 nSec TYPICAL, 100 nSec MAXIMUM
- POWER INPUT: (CW)+20 dBm (STANDARD), +10 dBm (HIGH SPEED)
- SURVIVAL POWER: 1 WATT CW, 10 WATTS PEAK 1 uSec
- CONTROL: TTL LOGIC "0" = ON
TTL LOGIC "1" = OFF
- POWER SUPPLY: +5V @ 100 mA MAXIMUM
-5V @ 75 mA MAXIMUM
- CONNECTORS:
RF: SMA FEMALE
CONTROL: SOLDER PIN
- SIZE: 1.20" (L) x 1.00" (W) x 0.50" (H)
- WEIGHT: 1.5 OUNCE TYPICAL

OPTIONS:

- 1320: OPTIMIZED FOR 13 TO 20 GHz
- HS2NS: HIGH SPEED OF 2 nS
- ISO30DB: 30 dB ISOLATION

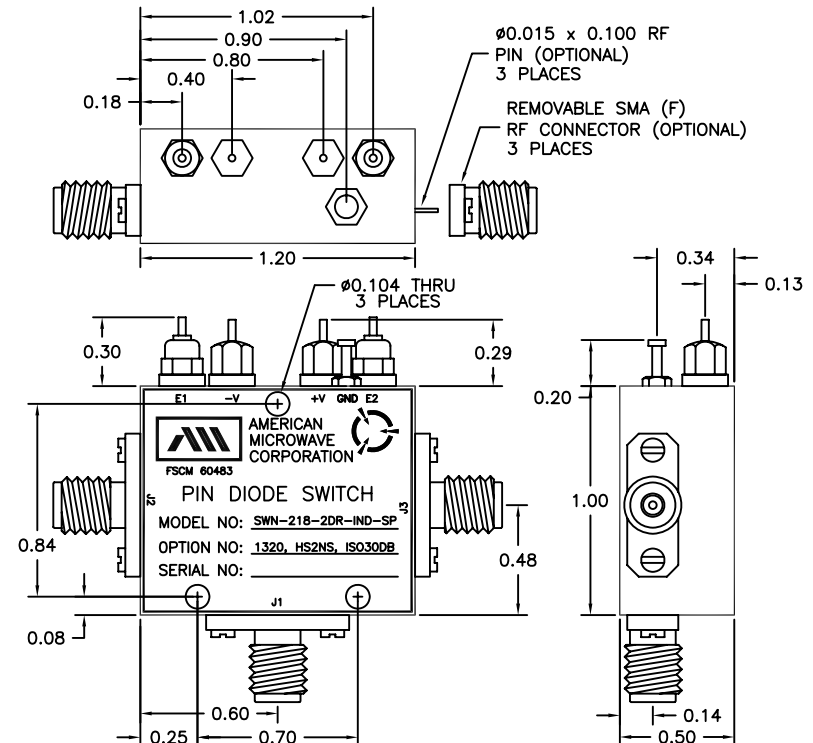
ENVIRONMENTAL RATINGS:

- TEMPERATURE: -55°C TO +85°C (OPERATING)
-65°C TO +125°C (STORAGE)
- HUMIDITY: MIL-STD-202F, METHOD 103B COND. B
- SHOCK: MIL-STD-202F, METHOD 213B COND. B
- VIBRATION: MIL-STD-202F, METHOD 204D COND. B
- ALTITUDE: MIL-STD-202F, METHOD 105C COND. B
- TEMPERATURE CYCLE: MIL-STD-202F, METHOD 107D COND. A

NOTE: SPECIFICATIONS WILL VARY OVER OPERATING TEMPERATURE
NOTE: THE ABOVE SPECIFICATIONS ARE SUBJECT TO CHANGE OR REVISION

ALL DIMENSIONS ARE IN INCHES
TOLERANCES:
X.XX ±0.020
X.XXX ±0.010

REVISIONS				
ZONE	REV.	DESCRIPTION	DATE	APPROVED
	-	ORIGINAL RELEASE JOB# 609175NX	11/10/04	



AMERICAN MICROWAVE CORPORATION

7311-G GROVE ROAD
FREDERICK, MARYLAND 21704 USA
TEL: 301-662-4700 FAX: 301-662-4938
WEBSITE: www.americanmicrowavecorp.com
E-MAIL: sales@americanmicrowavecorp.com
ISO 9001:2000 CERTIFIED

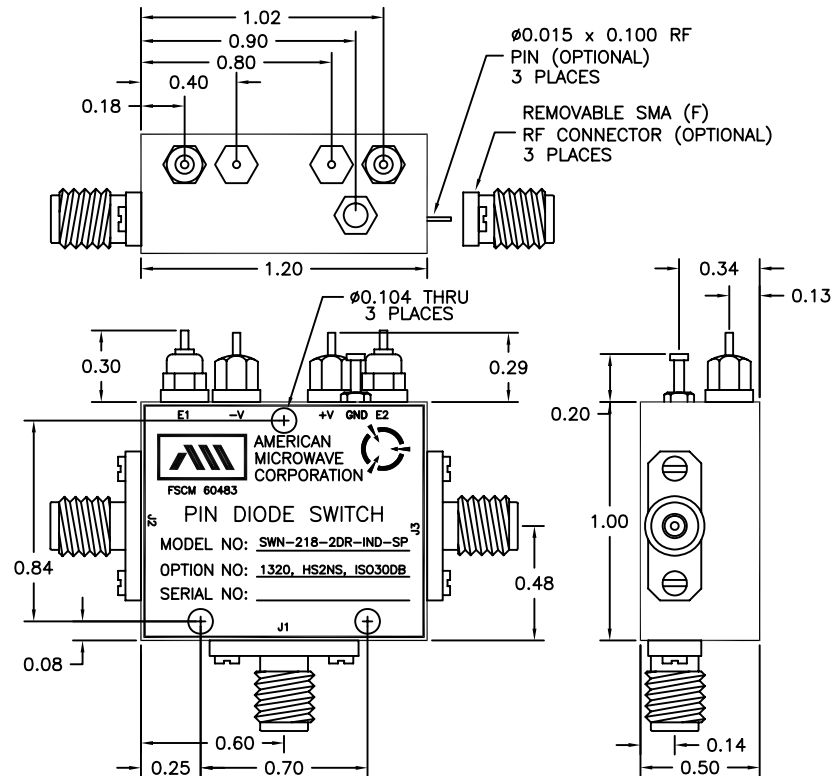


APPROVALS		DATE	TITLE			
DRAWN <i>WFLP</i>		11/10/06	PRODUCT FEATURE SWN-218-2DR-IND-SP OPTION: 1320, HS2NS, ISO30DB 13 - 20 GHz, SPDT PIN DIODE SWITCH			
CHECKED <i>RA</i>		11/10/06	SIZE	FSCM NO.	DWG NO.	REV.
ISSUED			A	60483	100-4427-119	-
			SCALE	SHEET		1 OF 4
			N:S			

DESCRIPTION

AMC MODEL SWN-218-2DR-IND-SP OPTIONS 1320, HS2NS, ISO30DB IS AN REFLECTIVE SINGLE POLE TWO THROW SWITCH DESIGNED TO OPERATE FROM 13 TO 20 GHz FREQUENCY RANGE WITH LOW INSERTION LOSS AND LOW ISOLATION.

MECHANICAL OUTLINE



ALL DIMENSIONS ARE IN INCHES
TOLERANCES:
X.XX ± 0.020
X.XXX ± 0.010

REVISIONS				
ZONE	REV.	DESCRIPTION	DATE	APPROVED
-	-	ORIGINAL RELEASE JOB# 609175NX	11/10/04	

AMERICAN MICROWAVE CORPORATION

7311-G GROVE ROAD
FREDERICK, MARYLAND 21704 USA
TEL: 301-662-4700 FAX: 301-662-4938
WEBSITE: www.americanmicrowavecorp.com
E-MAIL: sales@americanmicrowavecorp.com
ISO 9001:2000 CERTIFIED



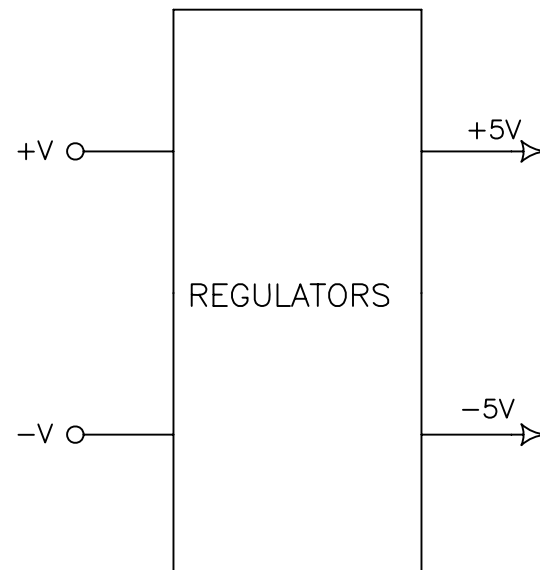
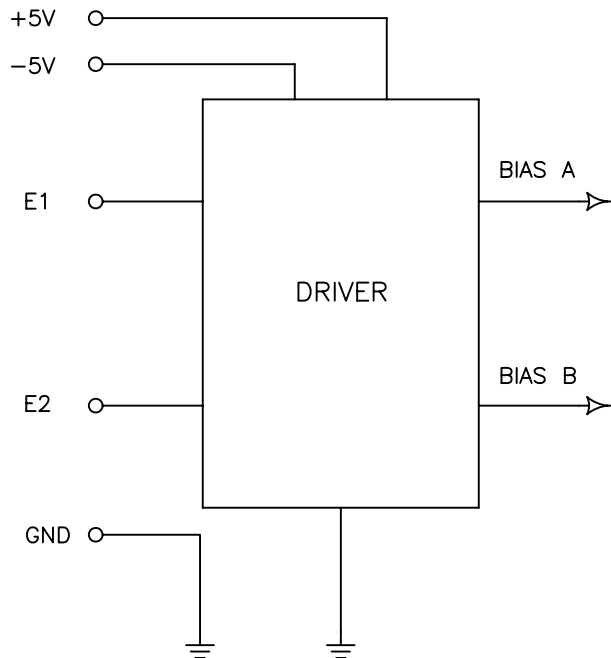
APPROVALS		DATE	TITLE			
DRAWN <i>WFLS</i>		11/10/06	MECHANICAL OUTLINE SWN-218-2DR-IND-SP OPTION: 1320, HS2NS, ISO30DB 13 - 20 GHz, SPDT PIN DIODE SWITCH			
CHECKED <i>RA</i>		11/10/06	SIZE	FSCM NO.	DWG NO.	REV.
ISSUED			A	60483	100-4427-119	-
			SCALE N:S			SHEET 2 OF 4

DESCRIPTION

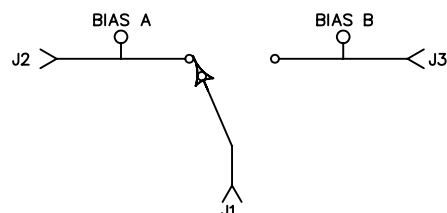
AMC MODEL SWN-218-2DR-IND-SP OPTIONS 1320, HS2NS, ISO30DB IS AN REFLECTIVE SINGLE POLE TWO THROW SWITCH DESIGNED TO OPERATE FROM 13 TO 20 GHz FREQUENCY RANGE WITH LOW INSERTION LOSS AND LOW ISOLATION.

REVISIONS				
ZONE	REV.	DESCRIPTION	DATE	APPROVED
	-	ORIGINAL RELEASE JOB# 609175NX	11/10/04	

FUNCTIONAL BLOCK DIAGRAM



BLOCK DIAGRAM



CONFIDENTIAL AND PROPRIETARY

AMERICAN MICROWAVE CORPORATION

7311-G GROVE ROAD
 FREDERICK, MARYLAND 21704 USA
 TEL: 301-662-4700 FAX: 301-662-4938
 WEBSITE: www.americanmicrowavecorp.com
 E-MAIL: sales@americanmicrowavecorp.com
 ISO 9001:2000 CERTIFIED



APPROVALS		DATE	TITLE			
DRAWN <i>WFLP</i>		11/10/06	FUNCTIONAL BLOCK DIAGRAM SWN-218-2DR-IND-SP OPTION: 1320, HS2NS, ISO30DB 13 - 20 GHz, SPDT PIN DIODE SWITCH			
CHECKED <i>RA</i>		11/10/06	SIZE	FSCM NO.	DWG NO.	REV.
ISSUED			A	60483	100-4427-119	-
			SCALE	N:S		SHEET 3 OF 4